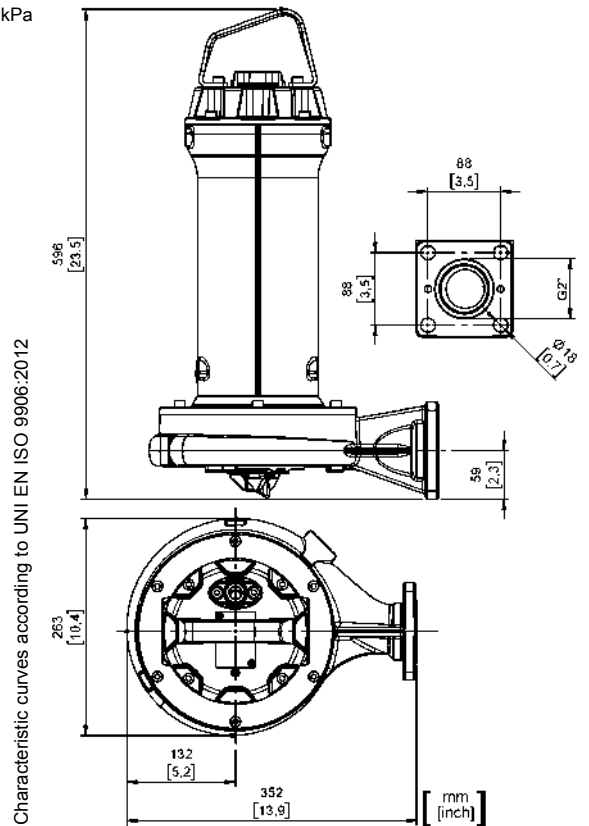
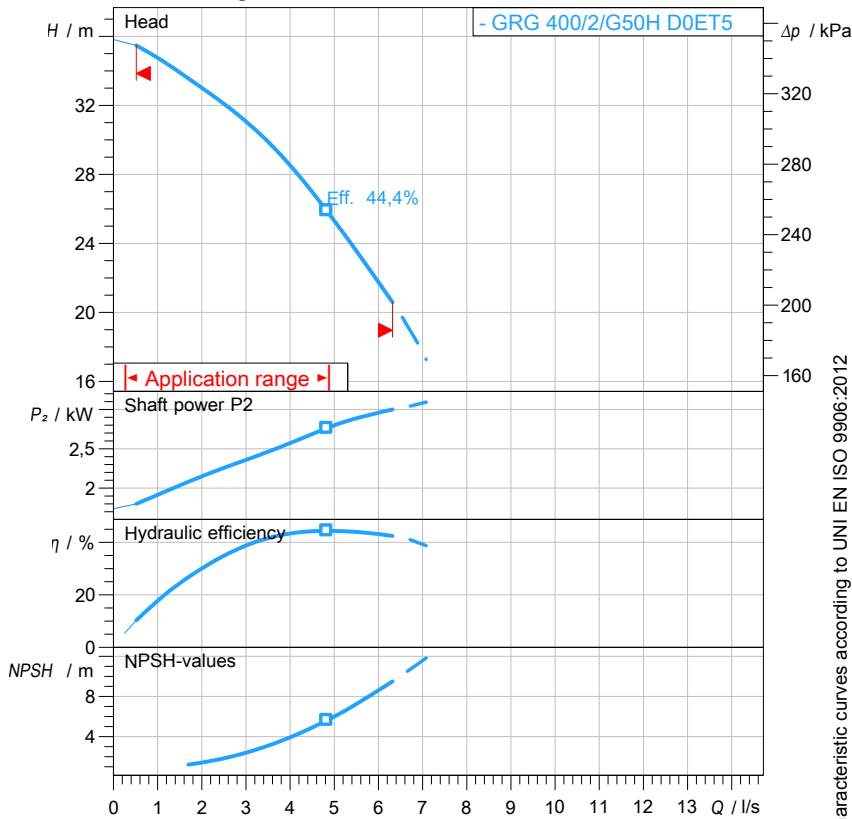




water solutions

Data sheet

**GRG 400/2/G50H D0ET5**GREY  
series**Technical specification****3~ 50 Hz**

Characteristic curves according to UNI EN ISO 9906:2012

**Pump**

Series	GREY series
Pump name	GRG 400/2/G50H D0ET5
Configuration	NGTAB51040N00NN
Standard	EN 809:2009

**Motor data**

Rated voltage	400 V
Frequency	50 Hz
Motor phases	3~
Number of poles	2
Rated power P <sub>2</sub>	3 kW
Incoming power P <sub>1</sub>	3,68 kW
Rated current	6,36 A
rpm	2877 1/min
Efficiency	81,5 %
cos φ	0,835
Rated torque	10,0 Nm
Start	Direct starting
Degree of protection	IP 68
Insulation class	H

**Hydraulic**

Type	GR (Impeller with grinder system)
Free passage	0 mm
Impeller type	Open channel impeller with grinder system
Max. hydraulic efficiency	44,4 %
Suction	
Discharge	DN 32 - G 2" EN 1092-2
Curve tolerance	UNI EN ISO 9906:2012

**Operating limits (standard pumps)**

Max. ambient temperature	40 °C
Max. density treated liquid	1 100 kg/m <sup>3</sup>
Max. immersion depth	20 m
pH treated liquid	6 ÷ 14
Max. start per hour (equally distributed)	30
Wet/dry use	WET
Max. acoustic pressure level	70 dB
Operating mode	S1 - Continuous use

**Construction materials**

Case	Cast iron EN-GJL 250
Shaft	Stainless steel - AISI 431
Hydraulic	Cast iron EN-GJL 250
Impeller	Cast iron EN-GJL 250
Painting/Coating	Bi-epoxy 150 μm
Screws	Stainless steel - Class A2-70
Gaskets	NBR
Cutter	Chromium steel - X102 CrMo17 KU
Cutting disk	Chromium steel - X102 CrMo17 KU

**Construction features**

Cooling system	No cooling jacket
Main cable	4G1,5 + 3x1
Cable length	10 mt
Mechanical seals	2 in silicon carbide (2SiC)
Additional drilling	-
Weight*	59,6 kg
Electrical variant	Thermal protection

\* cable, stand and guiding system excluded

Rev. 0 - 16-12-2014

All data shown are not binding. Zenit reserves the right to change data and dimensions without notice.

Created on 2018-03-29

Zenit.com

Page 1 / 3



water solutions

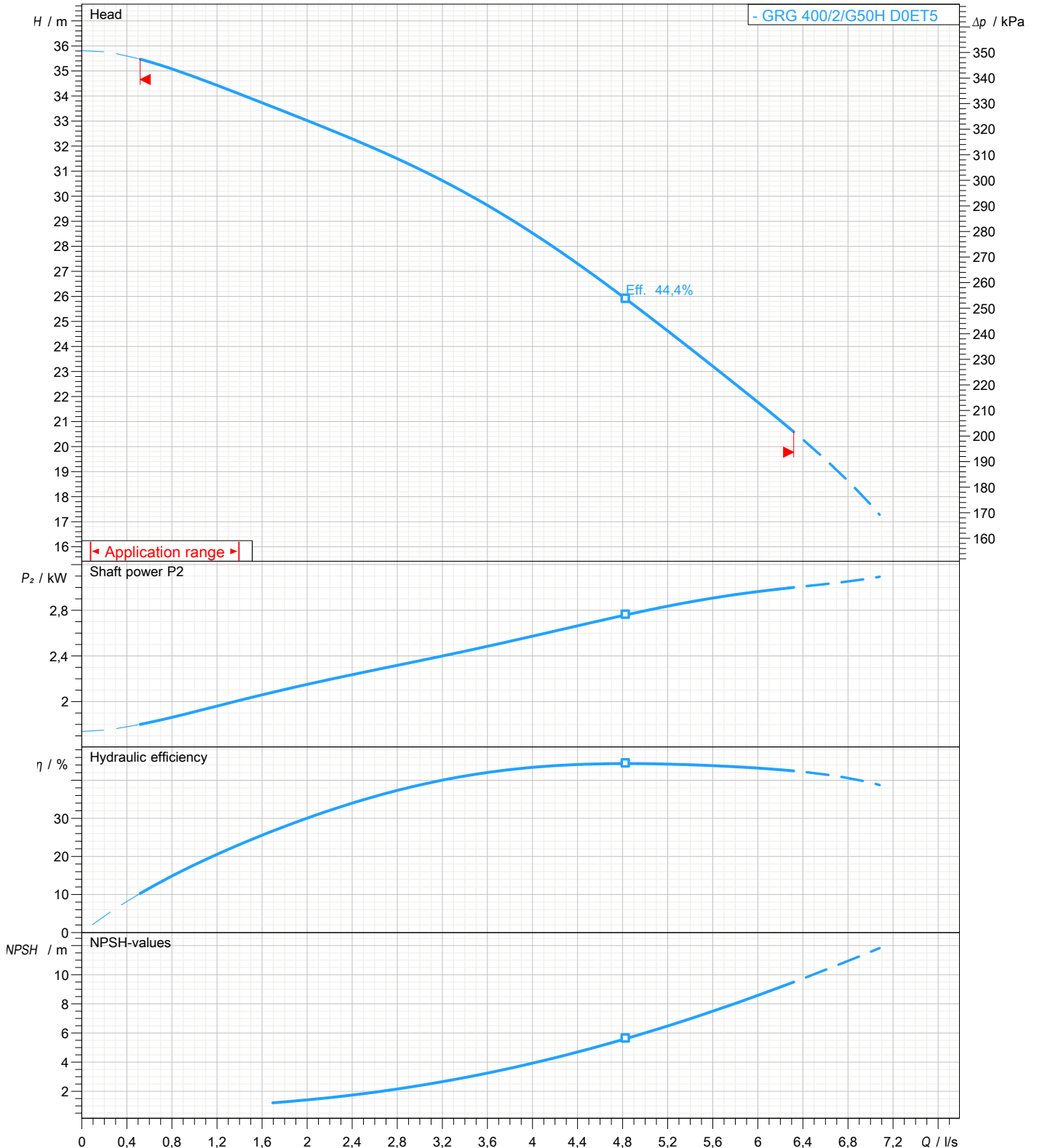
# Data sheet GRG 400/2/G50H D0ET5

GREY  
series

## Pump performance curves

3~ 50 Hz

<b>Hydraulic type</b> GR (Impeller with grinder system)		<b>Impeller type</b> Open channel impeller with grinder system		<b>Free passage</b> 0 mm	<b>Discharge</b> DN 32 - G 2"	<b>Suction</b>
DUTY POINT						
<b>Flow</b>	<b>Head</b>	<b>Shaft power P2</b>	<b>Hydraulic efficiency</b>	<b>Density</b> 998,3 kg/m <sup>3</sup>	<b>Viscosity</b> 1,005 mm <sup>2</sup> /s	



Characteristic curves according to UNI EN ISO 9906:2012



water solutions

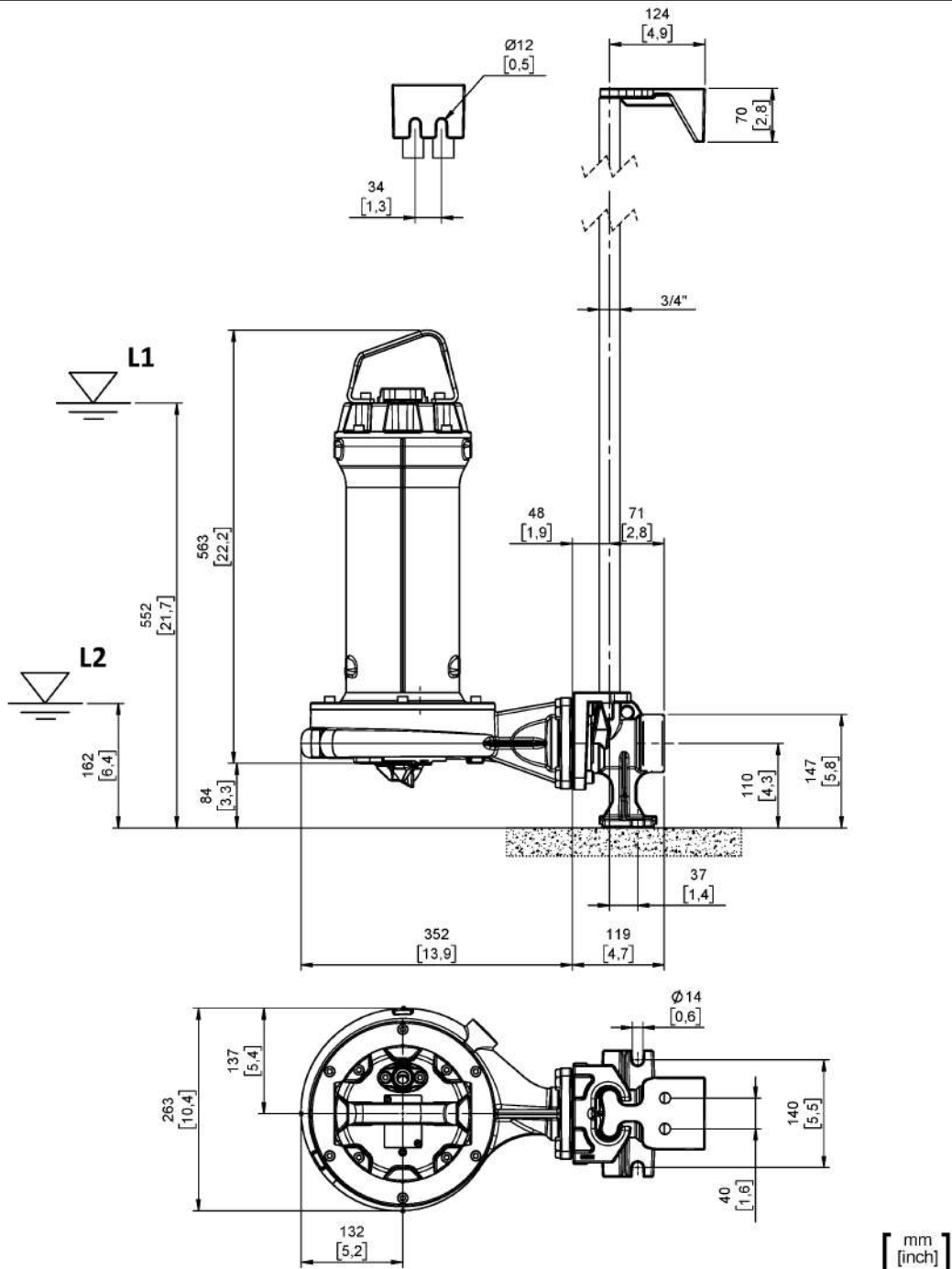
# Data sheet GRG 400/2/G50H D0ET5

GREY  
series

## Dimensional drawing

3~ 50 Hz

<b>Installation type</b> Installation with bottom coupling device - Horizontal/vertical outlet		
<b>Wet/dry use</b> WET	<b>Drilling variant</b> N	<b>Flushing valve - drilling</b> -
<b>Discharge</b> DN 32 - G 2" EN 1092-2	<b>Suction:</b>	<b>Pressure rating (suction/discharge)</b> PN 6
<b>Accessory</b> DAC 32-50/G50H-G50V+KAF 3/4" EN (P)		<b>Accessory code</b> 9028.010
<b>Note: Accessory must be ordered separately</b>		



L1: Minimum operating level for continuous use

L2: Minimum operating level for discontinuous use (only "WET" version)